

## NEXT PTZ 3MP IRLED

INNOVATIVE EXPLOSIONPROOF PTZ CAMERA STATION WITH IR LED

HAZARDOUS AREA

- **INNOVATIVE PRODUCT, BEST IN CLASS TECHNOLOGY**
- CLASS1/DIV1 EXPLOSIONPROOF PTZ FOR HAZARDOUS LOCATIONS
- AISI316L STAINLESS STEEL CONSTRUCTION
- 3MP, H.265, 33X AUTOFOCUS OPTICAL ZOOM
- EIS ELECTRONIC IMAGE STABILIZER
- EDGE RECORDING
- IR LED ILLUMINATOR
- INTEGRATED WINDOW WIPER
- BELT-DRIVE TECHNOLOGY
- VERY LOW POWER CONSUMPTION
- EASY MAINTENANCE
- IP68/69, NEMA 4X
- OPTIONAL BUILT-IN FIBER MEDIA CONVERTER
- OPTIONAL BUILT-IN IP OVER COAXIAL CONVERTER
- OPTIONAL BUILT-IN 120VAC POWER SUPPLY
- CYBER SECURITY FEATURES
- NDAA COMPLIANT



## TECHNICAL SPECIFICATIONS

### GENERAL & MECHANICAL

<b>Dimensions</b>	See dimensions drawings
<b>Operating Temperature</b>	CANADA: -50°C +60°C, +75°C peak (-58°F +140°F, +167°F peak) USA: -25°C +60°C, +75°C peak (-13°F +140°F, +167°F peak)
<b>Construction</b>	AISI316L Stainless Steel
<b>Finish</b>	Electro-polished
<b>Mounting</b>	4x Ø11 on 195 PCD
<b>Cable entries</b>	1x M25x1,5 or 3/4in (adapter) (second cable entry available on demand)
<b>Wiper</b>	Yes (camera)
<b>Pan Angle</b>	360° (continuous rotation)
<b>Pan Speed</b>	0 – 40°/second
<b>Pan Torque</b>	20Nm (limited with safety device)
<b>Tilt Angle</b>	180° (+/-90°)
<b>Tilt Speed</b>	0 – 20°/second
<b>Tilt Torque</b>	20Nm (limited with safety device)
<b>Rotation angle</b>	Electronically adjustable limit switches
<b>Backlash</b>	<0,1°
<b>Max preset accuracy</b>	0,04°
<b>Control protocol</b>	Pelco D (RS485)
<b>Weight</b>	Unit: 86lb / Package: 97lb

### ELECTRICAL

<b>Temperature Climatization</b>	
- Camera Housing	T[°C] ON = 54 ±7°F (12 ±4°C) T[°C] OFF = 68°F ± 5°F (20 ± 3°C)
- Gear motors	Electronically controlled de-icing
<b>Available voltages</b>	24VAC, 120VAC (+/-10%) 24VDC available on request
<b>Power consumption</b>	•10W min (stationary and heaters/wiper/illuminator off) •110W Operating (no heaters) •155W MAX (low temperature operation)

### CERTIFICATIONS

<b>Ingress Protection</b>	IP66/IP67/IP68/IP69 (EN 60529), NEMA 4X
<b>IK Classification</b>	IK10 on all sides except for the front glass, which is rated IK08
<b>Rating</b>	Class I, Division 1, Groups A, B, C and D T5/T4 -50°C ≤ Tamb ≤ +60°C/80°C (only for Canada) Class I, Division 1, Groups B, C and D T5/T4 -25°C ≤ Tamb ≤ +60°C/80°C (only for US) Class II/III, Division 1, Groups E, F and G T5/T4 -40°C ≤ Tamb ≤ +60°C/80°C (for US/Canada) Class I Zone 1, AEx db IIC T5/T4 Gb Ta=-50°C to +40°C/+60°C Class I Zone 21, AEx tb IIIC T100°C/T135°C Gb Ta=-50°C to +40°C/+60°C
<b>Vibrations and Shock</b>	EN/IEC 60068-2-6; EN/IEC 60068-2-27; DNV-CG-0339
<b>North American Standards</b>	FM 3600; FM 3615; FM 3616; FM 3810; ANSI/UL 50E; ANSI/UL 60079-0; ANSI/UL 60079-1; ANSI/UL 60079-31; ANSI/IEC 60529; ANSI/UL 61010-1 CSA C22.2 No. 0.4; CSA C22.2 No. 0.5; CSA C22.2 No. 25; CSA C22.2 No. 30; CSA C22.2 No. 94; CSA C22.2 No. 60079-0; CSA C22.2 No. 60079-1; CSA C22.2 No. 60079-31; CSA C22.2 No. 60529; CSA C22.2 No. 61010-1
<b>EMC</b>	EN 55035; EN/IEC 61000-6-4; EN/IEC 61000-3-2; EN/IEC 61000-3-3; EN/IEC 61000-6-2; CISPR-32; CISPR-35; DNV-CG-0339
<b>LVD</b>	EN/IEC 62368-1
<b>FCC</b>	FCC part 15B
<b>RoHS</b>	2011/65/EU + 2015/863/EU (RoHS 3)
<b>WEEE</b>	2012/19/EU

## INNOVATIVE EXPLOSIONPROOF PTZ CAMERA STATION WITH IR LED

### VIDEO/CAMERA

<b>Sensor</b>	1/2.8" Progressive CMOS, 3MP
<b>Resolution</b>	- Up to 2065x1553, 3MP (H.264/H.265) - Up to 1920x1080, 2MP (MJPEG)
<b>Compression</b>	H.265/H.264/MJPEG
<b>Streaming</b>	Up to 4 configurable streams
<b>Frame Rate</b>	- 2MP: 60fps (WDR off), 30 fps (WDR on) - 3MP: 30fps (H.264/H.265)
<b>Sensitivity</b>	Color: 0.04 lux, B/W: 0.002 lux
<b>Shutter Speed</b>	1 to 1/10000 s
<b>Optical Filter</b>	Automatically removable IR-cut filter
<b>White Balance</b>	Contrast White Balance
<b>Dynamic range</b>	WDR/HDR
<b>Lens</b>	33x Autofocus Optical Zoom, 10x Digital Zoom, 4.6-152mm, F1.6
<b>FOV</b>	Horizontal: 55° (Wide), 2° (Tele) Vertical: 43° (Wide), 1° (Tele)
<b>Analytics</b>	Motion Detection/Tampering. OPTIONAL: intrusion detection, wrong direction, object removal, sabotage, loitering, stopped vehicle, object counting
<b>Image settings</b>	Color, Brightness, Sharpness, Contrast, White Balance, Exposure control, 2D/3D Noise Reduction
<b>Event Triggers</b>	External Input, Analytics, Network Failure Detection, Periodical Event, Manual Trigger
<b>Event Actions</b>	External Output Activation
<b>Edge Recording</b>	Micro SD/SDHC/SDXC (card not provided)
<b>Network Storage</b>	Support for recording to NAS
<b>SNR</b>	>50dB
<b>Noise Reduction</b>	3D Motion Compensated Noise Reduction
<b>Iris</b>	P-Iris, Auto-Iris
<b>Image Stabilization</b>	EIS

### NETWORK

<b>Interface</b>	100BASE-TX or 100BASE-FX/1000BASE-X (fiber)
<b>Security</b>	User Authentication/ HTTPS/ IP Filter/ IEEE 802.1x/ SNMPv3
<b>ONVIF</b>	ONVIF profile S/T/G/M
<b>Protocols</b>	IPv4/v6, TCP, UDP, RTP, RTSP, HTTP, HTTPS, ICMP, FTP, SMTP, DHCP, PPPoE, UPnP, IGMP, SNMP, QoS, ARP, NTP

### LED ILLUMINATOR

<b>LED</b>	14x SMD LED
<b>Wavelength</b>	850nm
<b>Beam patterns</b>	15° or 34° circular beam

### FIBER MEDIA CONVERTER

<b>Interface</b>	100 Base-FX/1000BASE-X
<b>Cabling</b>	Singlemode (9/125 μm) /two fibers/SC connector
<b>Maximum Distance</b>	20km
<b>Wavelength</b>	1310 nm

### IP OVER COAXIAL CONVERTER

<b>Interface</b>	10/100 Base-TX over Coaxial Cable
<b>Bandwidth</b>	Up to 95Mbps downlink/uplink
<b>Maximum Distance</b>	1800m
<b>Technology</b>	Broadband over Power Lines (BPL)
<b>Interference Prevention</b>	IEEE 1901-2010 Inter-System Protocol ISP

### MODELS

<b>TXPUS1TV2-15LED-IP-S</b>	New Generation Explosionproof PTZ IP camera station 3MP 33x, IR LED Illuminator 15° beam, 24VAC
<b>TXPUS2TV2-15LED-IP-S</b>	New Generation Explosionproof PTZ IP camera station 3MP 33x, IR LED Illuminator 15° beam, 120VAC
<b>TXPUS1TV2-15LED-SM-S</b>	New Generation Explosionproof PTZ IP camera station 3MP 33x, IR LED Illuminator 15° beam, SM FO Media Converter, 24VAC
<b>TXPUS2TV2-15LED-SM-S</b>	New Generation Explosionproof PTZ IP camera station 3MP 33x, IR LED Illuminator 15° beam, SM FO Media Converter, 120VAC
<b>TXPUS1TV2-34LED-IP-S</b>	New Generation Explosionproof PTZ IP camera station 3MP 33x, IR LED Illuminator 34° beam, 24VAC
<b>TXPUS2TV2-34LED-IP-S</b>	New Generation Explosionproof PTZ IP camera station 3MP 33x, IR LED Illuminator 34° beam, 120VAC
<b>TXPUS1TV2-34LED-SM-S</b>	New Generation Explosionproof PTZ IP camera station 3MP 33x, IR LED Illuminator 34° beam, SM FO Media Converter, 24VAC
<b>TXPUS2TV2-34LED-SM-S</b>	New Generation Explosionproof PTZ IP camera station 3MP 33x, IR LED Illuminator 34° beam, SM FO Media Converter, 120VAC

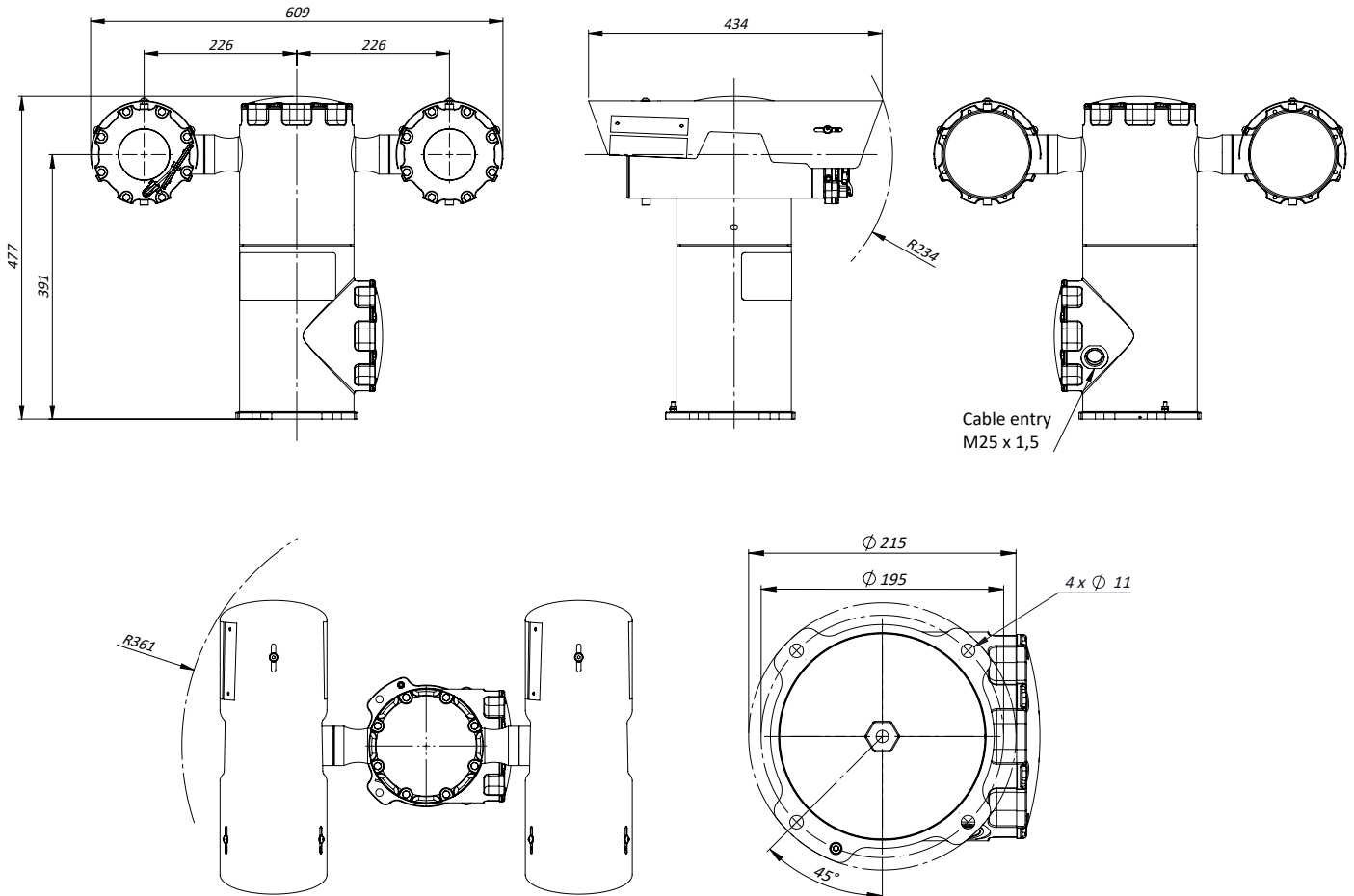
-for IP over COAXIAL converter replace the suffix "SM" with "CX"

### ACCESSORIES

<b>SSBK-L</b>	Wall mounting bracket
---------------	-----------------------

INNOVATIVE EXPLOSIONPROOF PTZ CAMERA STATION WITH IR LED

## DIMENSIONS



Dimensions in millimetres - Tolerances according QMS - Design and products specifications subject to change without notice - rev. 20240919