

NEXT PTZ 3MP IRLED

INNOVATIVE EXPLOSIONPROOF PTZ CAMERA STATION WITH IR LED

HAZARDOUS AREA

- **INNOVATIVE PRODUCT, BEST IN CLASS TECHNOLOGY**
- ATEX/IECEX/UKCA/INMETRO EXPLOSIONPROOF PTZ FOR HAZARDOUS LOCATIONS
- AISI316L STAINLESS STEEL CONSTRUCTION
- CERTIFICATION TEMPERATURE -60°C +60°C
- 3MP, H.265, 33X AUTOFOCUS OPTICAL ZOOM
- EIS ELECTRONIC IMAGE STABILIZER
- EDGE RECORDING
- IR LED ILLUMINATOR
- INTEGRATED WINDOW WIPER
- VERY LOW POWER CONSUMPTION
- EASY MAINTENANCE
- IP66/67/68/69, NEMA 4X
- OPTIONAL BUILT-IN FIBER MEDIA CONVERTER
- OPTIONAL BUILT-IN IP OVER COAX CONVERTER
- OPTIONAL BUILT-IN 120VAC OR 230VAC POWER SUPPLY
- H2-READY
- CYBER SECURITY FEATURES
- NDAA COMPLIANT



TECHNICAL SPECIFICATIONS

GENERAL & MECHANICAL

| | |
|------------------------------|-----------------------------------------------------|
| Dimensions | See dimensions drawings |
| Operating Temperature | -60°C +60°C (-76°F +140°F) |
| Construction | AISI316L Stainless Steel |
| Finish | Electro-polished |
| Mounting | 4x Ø11 on 195 PCD |
| Cable entries | 1x M25x1,5 (second cable entry available on demand) |
| Wiper | Yes (camera) |
| Pan Angle | 360° (continuous rotation) |
| Pan Speed | 0 – 40°/second |
| Pan Torque | 20Nm (limited with safety device) |
| Tilt Angle | 180° (+/-90°) |
| Tilt Speed | 0 – 20°/second |
| Tilt Torque | 20Nm (limited with safety device) |
| Rotation angle | Electronically adjustable limit switches |
| Backlash | <0,1° |
| Max preset accuracy | 0,04° |
| Control protocol | Pelco D (RS485) |
| Weight | Unit: 39kg / Package: 44kg |

ELECTRICAL

| | |
|----------------------------------|--------------------------------------------------------------------------|
| Temperature Climatization | |
| - Camera Housing | T[°C] ON = 12 ± 4°C, T[°C] OFF = 20 ± 3°C |
| - Gear motors | Electronically controlled de-icing |
| Available voltages | 24VAC, 120VAC, 230VAC (+/-10%) 24VDC available on request |
| Power consumption | 10W min (stationary and de-icing/heater/wiper/illuminator off), 155W MAX |

CERTIFICATIONS

| | |
|-----------------------------|-----------------------------------------------------------------------------------------------------------------------------|
| Ingress Protection | EN 60529 (IP66/IP67/IP68/IP69), NEMA 4X |
| IK Classification | IK10 on all sides except for the camera and illuminator front glasses, which are rated IK08 |
| Rating | II 2 G Ex db IIC T6/5 Gb -60°C ≤ Tamb ≤ +50/65°C II 2 D Ex tb IIIC T85/100°C Db -60°C ≤ Tamb ≤ +50/65°C |
| Vibrations and Shock | EN/IEC 60068-2-6; EN/IEC 60068-2-27; DNV-CG-0339 |
| ATEX/UKEX Standards | EN 60079-0; EN 60079-1; EN 60079-31 |
| IECEX Standards | IEC 60079-0; IEC 60079-1; IEC 60079-31 |
| INMETRO | ABNT NBR IEC 60079-0; ABNT NBR IEC 60079-1; ABNT NBR IEC 60079-31 |
| EMC | EN 55032; EN 55035; EN IEC 61000-3-2; EN/IEC 61000-3-3; EN/IEC 61000-6-2; EN/IEC 61000-6-4; CISPR 32; CISPR 35; DNV-CG-0339 |
| LVD | EN/IEC 62368-1 |
| FCC | FCC part 15B |
| RoHS | 2011/65/EU + 2015/863/EU (RoHS 3) |
| WEEE | 2012/19/EU |

VIDEO/CAMERA

| | |
|-----------------------|------------------------------------------------------------------------|
| Sensor | 1/2.8" Progressive CMOS, 3MP |
| Resolution | - Up to 2065x1553, 3MP (H.264/H.265) - Up to 1920x1080, 2MP (MJPEG) |
| Compression | H.265/H.264/MJPEG |
| Streaming | Up to 4 configurable streams |
| Frame Rate | - 2MP: 60fps (WDR off), 30 fps (WDR on) - 3MP: 30fps (H.264/H.265) |
| Sensitivity | Color: 0.04 lux, B/W: 0.002 lux |
| Shutter Speed | 1 to 1/10000 s |
| Optical Filter | Automatically removable IR-cut filter |
| White Balance | Contrast White Balance |
| Dynamic range | WDR/HDR |

INNOVATIVE EXPLOSIONPROOF PTZ CAMERA STATION WITH IR LED

| | |
|----------------------------|---------------------------------------------------------------------------------------------------------------------------------------------------|
| Lens | 33x Autofocus Optical Zoom, 10x Digital Zoom, 4.6-152mm, F1.6 |
| FOV | Horizontal: 55° (Wide), 2° (Tele) Vertical: 43° (Wide), 1° (Tele) |
| Analytics | Motion Detection/Tampering. OPTIONAL: intrusion detection, wrong direction, object removal, sabotage, loitering, stopped vehicle, object counting |
| Image settings | Color, Brightness, Sharpness, Contrast, White Balance, Exposure control, 2D/3D Noise Reduction |
| Event Triggers | External Input, Analytics, Network Failure Detection, Periodical Event, Manual Trigger |
| Event Actions | External Output Activation |
| Edge Recording | Micro SD/SDHC/SDXC (card not provided) |
| Network Storage | Support for recording to NAS |
| SNR | >50dB |
| Noise Reduction | 3D Motion Compensated Noise Reduction |
| Iris | P-Iris, Auto-Iris |
| Image Stabilization | EIS |

NETWORK

| | |
|------------------|----------------------------------------------------------------------------------------------------------|
| Interface | 100BASE-TX or 100BASE-FX/1000BASE-X (fiber) |
| Security | User Authentication/ HTTPS/ IP Filter/ IEEE 802.1x/ SNMPv3 |
| ONVIF | ONVIF profile S/T/G/M |
| Protocols | IPv4/v6, TCP, UDP, RTP, RTSP, HTTP, HTTPS, ICMP, FTP, SMTP, DHCP, PPPoE, UPnP, IGMP, SNMP, QoS, ARP, NTP |

LED ILLUMINATOR

| | |
|----------------------|---------------------------|
| LED | 14x SMD LED |
| Wavelength | 850nm |
| Beam patterns | 15° or 34° circular beams |

FIBER MEDIA CONVERTER

| | |
|-------------------------|------------------------------------------------|
| Interface | 100 Base-FX/1000BASE-X |
| Cabling | Singlemode (9/125 μm) /two fibers/SC connector |
| Maximum Distance | 20km |
| Wavelength | 1310 nm |

IP OVER COAXIAL CONVERTER

| | |
|--------------------------------|------------------------------------------|
| Interface | 10/100 Base-TX over Coaxial Cable |
| Bandwidth | Up to 95Mbps downlink/uplink |
| Maximum Distance | 1800m |
| Technology | Broadband over Power Lines (BPL) |
| Interference Prevention | IEEE 1901-2010 Inter-System Protocol ISP |

MODELS

| | |
|---------------------------|------------------------------------------------------------------------------------------------------------------------------------|
| TXP1TV2-15LED-IP-S | New Generation Explosionproof Stainless Steel PTZ IP 3MP 33x camera station, 15° IR LED illuminator, 24VAC |
| TXP2TV2-15LED-IP-S | New Generation Explosionproof Stainless Steel PTZ IP 3MP 33x camera station, 15° IR LED illuminator, 120VAC |
| TXP3TV2-15LED-IP-S | New Generation Explosionproof Stainless Steel PTZ IP 3MP 33x camera station, 15° IR LED illuminator, 230VAC |
| TXP1TV2-15LED-SM-S | New Generation Explosionproof Stainless Steel PTZ IP 3MP 33x camera station, 15° IR LED illuminator, SM FO media converter, 24VAC |
| TXP2TV2-15LED-SM-S | New Generation Explosionproof Stainless Steel PTZ IP 3MP 33x camera station, 15° IR LED illuminator, SM FO media converter, 120VAC |
| TXP3TV2-15LED-SM-S | New Generation Explosionproof Stainless Steel PTZ IP 3MP 33x camera station, 15° IR LED illuminator, SM FO media converter, 230VAC |
| TXP1TV2-34LED-IP-S | New Generation Explosionproof Stainless Steel PTZ IP 3MP 33x camera station, 34° IR LED illuminator, 24VAC |
| TXP2TV2-34LED-IP-S | New Generation Explosionproof Stainless Steel PTZ IP 3MP 33x camera station, 34° IR LED illuminator, 120VAC |
| TXP3TV2-34LED-IP-S | New Generation Explosionproof Stainless Steel PTZ IP 3MP 33x camera station, 34° IR LED illuminator, 230VAC |
| TXP1TV2-34LED-SM-S | New Generation Explosionproof Stainless Steel PTZ IP 3MP 33x camera station, 34° IR LED illuminator, SM FO media converter, 24VAC |
| TXP2TV2-34LED-SM-S | New Generation Explosionproof Stainless Steel PTZ IP 3MP 33x camera station, 34° IR LED illuminator, SM FO media converter, 120VAC |
| TXP3TV2-34LED-SM-S | New Generation Explosionproof Stainless Steel PTZ IP 3MP 33x camera station, 34° IR LED illuminator, SM FO media converter, 230VAC |

-for IP over COAXIAL converter replace the suffix "SM" with "CX"

-TXP4 is for 24VDC models

PRE-ASSEMBLED CABLE TAILS

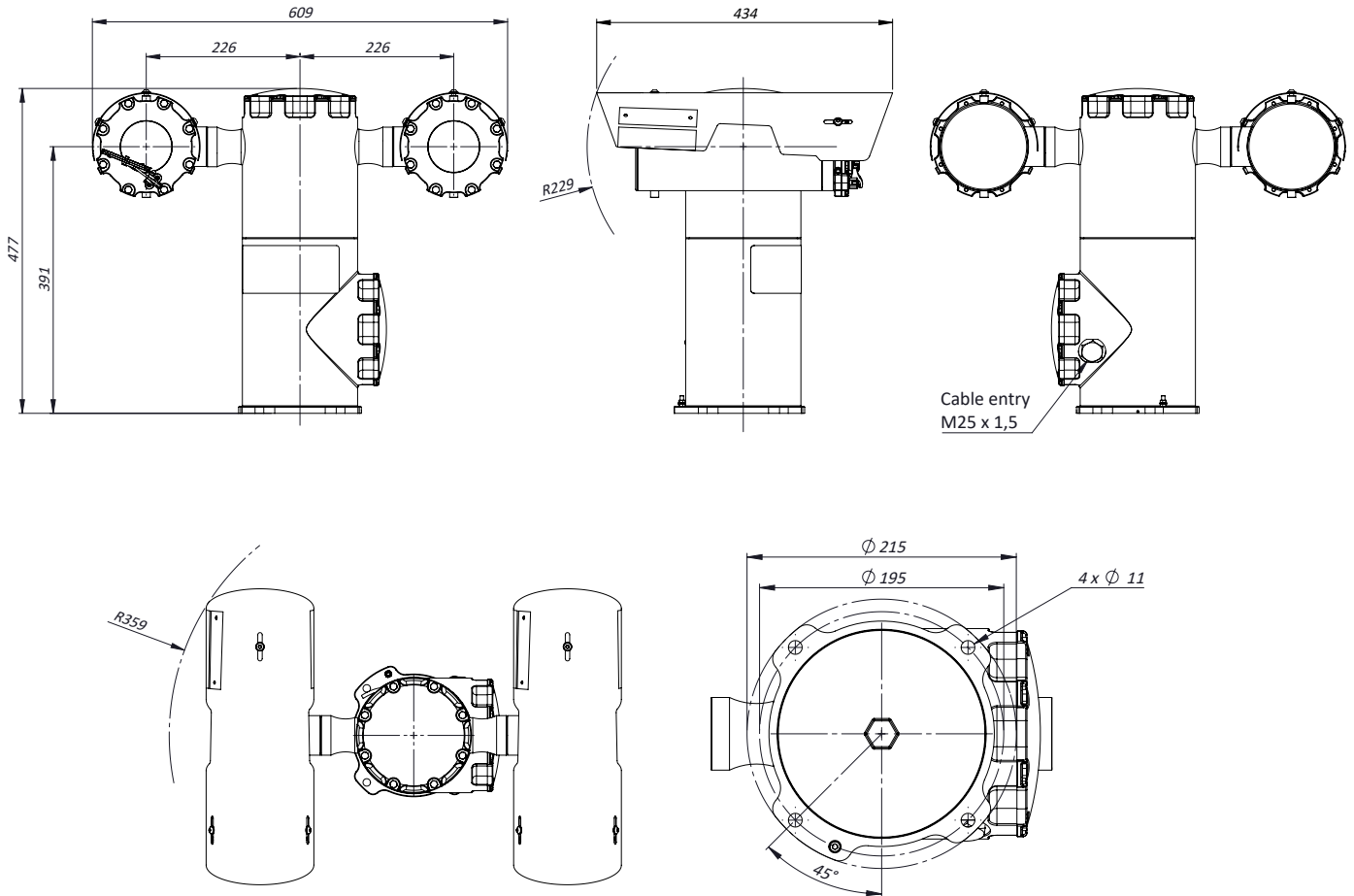
| | |
|--------------------|-------------------------------------------------------------------------------------------------------------------------------------------|
| EXACCTF3-B | 3 meters armoured composite cable tail (power, Ethernet, data) with 2x M25 barrier nickel plated brass glands. |
| EXACCTF3-D | 3 meters armoured composite cable tail (power, data, fiber optic) with 2x M25 barrier nickel plated brass glands. Fiber termination: SC. |
| EXACCTF5-B | 5 meters armoured composite cable tail (power, Ethernet, data) with 2x M25 barrier nickel plated brass glands. |
| EXACCTF5-D | 5 meters armoured composite cable tail (power, data, fiber optic) with 2x M25 barrier nickel plated brass glands. Fiber termination: SC. |
| EXACCTF10-B | 10 meters armoured composite cable tail (power, Ethernet, data) with 2x M25 barrier nickel plated brass glands. |
| EXACCTF10-D | 10 meters armoured composite cable tail (power, data, fiber optic) with 2x M25 barrier nickel plated brass glands. Fiber termination: SC. |

ACCESSORIES

| | |
|---------------|-----------------------|
| SSBK-L | Wall mounting bracket |
|---------------|-----------------------|

INNOVATIVE EXPLOSIONPROOF PTZ CAMERA STATION WITH IR LED

DIMENSIONS



Dimensions in millimetres - Tolerances according QMS - Design and products specifications subject to change without notice - rev. 20241106