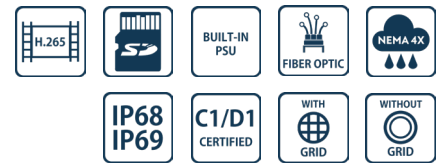
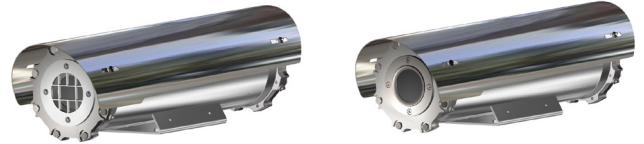


- **INNOVATIVE PRODUCT, BEST IN CLASS TECHNOLOGY**
- CLASS1/DIV1 EXPLOSIONPROOF THERMAL CAMERA FOR HAZARDOUS LOCATIONS
- AISI316L STAINLESS STEEL CONSTRUCTION
- 640X512 RESOLUTION, 9HZ OR 25HZ, LWIR
- WIDE RANGE OF FIXED LENSES
- GERMANIUM WINDOW
- IP68/69, NEMA 4X
- OPTIONAL BUILT-IN FIBER MEDIA CONVERTER
- OPTIONAL BUILT-IN IP OVER COAXIAL CONVERTER
- OPTIONAL BUILT-IN 120VAC POWER SUPPLY



TECHNICAL SPECIFICATIONS

GENERAL & MECHANICAL

| | |
|------------------------------|---|
| Dimensions | See dimensions drawings |
| Operating Temperature | CANADA: -50°C +60°C, +75°C peak (-58°F +140°F, +167°F peak) USA: -25°C +60°C, +75°C peak (-13°F +140°F, +167°F peak) |
| Construction | AISI316L Stainless Steel |
| Finish | Electro-polished |
| Window | Germanium HC coated 50mm |
| Mounting | 4x M5 on 101,6 PCD 4x M6 on 90x130 |
| Cable entries | 2xM25x1.5 and 2x 3/4in (adapter) |
| Weight | Unit: 23lb / Package: 26lb |

ELECTRICAL

| | |
|----------------------------------|--|
| Temperature Climatization | T[°C] ON = 54 ± 7°F (12 ± 4°C) T[°C] OFF = 68°F ± 5°F (20 ± 3°C) |
| Available voltages | 24VAC, 120VAC (+/-10%) 24VDC or PoE available on request |
| Power consumption | 40W MAX |

CERTIFICATIONS

| | |
|---------------------------------|--|
| Ingress Protection | IP66/IP67/IP68/IP69 (EN 60529), NEMA 4X |
| IK Classification | IK10 on all sides except for the front glass, which is rated IK08 |
| Rating | Class I, Division 1, Groups A, B, C and D T6/T5/T4 -50°C ≤ Tamb ≤ +60°C/75°C/80°C (only for Canada) Class I, Division 1, Groups B, C and D T5/T4 -25°C ≤ Tamb ≤ +60°C/75°C/80°C (only for US) Class II/III, Division 1, Groups E, F and G T5/T4 -40°C ≤ Tamb ≤ +60°C/80°C (for US/Canada) Class I Zone 1, AEx db IIC T6/T5/T4 Gb Ta=-50°C to +60°C/+75°C/+80°C Class I Zone 21, AEx tb IIIC T85°C/T100°C/T135°C Gb Ta=-50°C to +60°C/+75°C/+80°C |
| North American Standards | FM 3600; FM 3615; FM 3616; FM 3810; ANSI/UL 50E; ANSI/UL 60079-0; ANSI/UL 60079-1; ANSI/UL 60079-31; ANSI/IEC 60529; ANSI/UL 61010-1 CSA C22.2 No. 0.4; CSA C22.2 No. 0.5; CSA C22.2 No. 25; CSA C22.2 No. 30; CSA C22.2 No. 94; CSA C22.2 No. 60079-0; CSA C22.2 No. 60079-1; CSA C22.2 No. 60079-31; CSA C22.2 No. 60529; CSA C22.2 No. 61010-1 |
| EMC | EN 55032; EN 55035; EN/IEC 61000-3-2; EN/IEC 61000-3-3; EN/IEC 61000-6-2; EN/IEC 61000-6-4; CISPR-32; CISPR-35 |
| LVD | EN/IEC 62368-1 |
| RoHS | 2011/65/EU + 2015/863/EU (RoHS 3) |
| WEEE | 2012/19/EU |

CAMERA (THERMAL)

| | |
|----------------------|------------------------------------|
| Sensor | VOx Microbolometer, 12µm, uncooled |
| Resolution | 640x512 pixels |
| Spectral Band | LWIR 8-14µm |
| Compression | H.264, MJPEG |

INNOVATIVE EXPLOSIONPROOF THERMAL CAMERA STATION

| | |
|-----------------------|--|
| Frame Rate | 9Hz (9fps) or 25Hz (25fps) |
| Focus Settings | Fixed manual focus, minimum focus distance |
| Sensitivity | ≤50mK@25°, F/1.0 |
| Shutter type | NUC |
| Fire Detection | Yes |
| Image settings | Black hot, White hot, Color Palette (18 types) |
| Event Actions | Recording/Capture/Sending mail/PTZ linkage/Alarm output |
| Analytics | Line intrusion, cross-border, and region intrusion |
| Alarm Trigger | Network disconnection, IP address conflict, full memory, memory error, illegal access and abnormal detection |
| Edge Recording | Yes |
| Gain | - Digital Filter and Imaging Denoising - Digital Detail Enhancement |

| Lens | FOV (HxV) | Min Focus Distance |
|-------|-------------------|--------------------|
| | 640x512 | |
| 9.1mm | 48.6°x38.6°, F1.0 | 0.5m |
| 13mm | 32.9°x26.6°, F1.0 | 0.5m |
| 19mm | 22.9°x18.4°, F1.0 | 0.5m |
| 25mm | 17.4°x14.0°, F1.0 | 1m |
| 35mm | 12.5°x10.0°, F1.0 | 1.5m |
| 55mm | 8.6°x6.4°, F1.0 | 2m |

NETWORK

| | |
|------------------|--|
| Interface | 100BASE-TX or 100BASE-FX/1000BASE-X (fiber) |
| Security | User Authentication/HTTPS |
| ONVIF | ONVIF S |
| Protocols | TCP, UDP, RTP, RTSP, RTCP, HTTP, HTTPS, ICMP, FTP, SMTP, DHCP, IGMP, QoS, NTP, DNS |

FIBER MEDIA CONVERTER

| | |
|-------------------------|--|
| Interface | 100 Base-FX/1000BASE-X |
| Cabling | Singlemode (9/125 μm) /two fibers/SC connector |
| Maximum Distance | 20km |
| Wavelength | 1310 nm |

IP OVER COAXIAL CONVERTER

| | |
|--------------------------------|--|
| Interface | 10/100 Base-TX over Coaxial Cable |
| Bandwidth | Up to 95Mbps downlink/uplink |
| Maximum Distance | 1800m |
| Technology | Broadband over Power Lines (BPL) |
| Interference Prevention | IEEE 1901-2010 Inter-System Protocol ISP |

MODELS

| | |
|------------------------|--|
| TXFUS2Tlxx-IP-M | New Generation Explosionproof FIXED Thermal Camera Station. With front grid, 120VAC |
| TXFUS1Tlxx-IP-M | New Generation Explosionproof FIXED Thermal Camera Station. With front grid, 24VAC |
| TXFUS2Tlxx-SM-M | New Generation Explosionproof FIXED Thermal Camera Station, SM FO media converter. With front grid, 120VAC |
| TXFUS1Tlxx-SM-M | New Generation Explosionproof FIXED Thermal Camera Station, SM FO media converter. With front grid, 24VAC |
| TXFUS2Tlxx-CX-M | New Generation Explosionproof FIXED Thermal Camera Station, IP over COAXIAL converter. With front grid, 120VAC |
| TXFUS1Tlxx-CX-M | New Generation Explosionproof FIXED Thermal Camera Station, IP over COAXIAL converter. With front grid, 24VAC |

(+) Gridless version available on request: please add suffix -001 to the model name

To order the required camera configuration, please replace "Tlxx" with the number indicated in the table below.

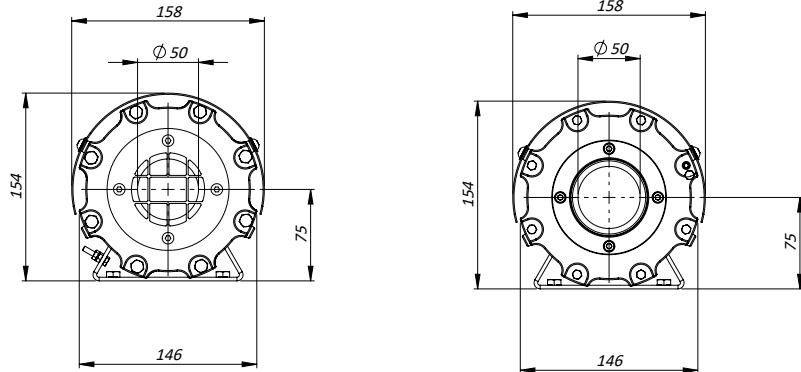
CAMERA MODEL SELECTION (TIXX)

| | 640x512 | |
|-------|---------|------|
| | 9Hz | 25Hz |
| 9.1mm | TI22 | TI32 |
| 13mm | TI23 | TI33 |
| 19mm | TI24 | TI34 |
| 25mm | TI25 | TI35 |
| 35mm | TI26 | TI36 |
| 55mm | TI27 | TI37 |

ACCESSORIES

| | |
|----------------|-------------------------------|
| SSBK-M | Wall mounting bracket |
| SSPM-M | Pole mount adapter for SSBK-M |
| SSPTM-M | Top pole mount adapter |

DIMENSIONS



*Gridless version

