

Aegex100M™ Intrinsically Safe Tablet

U S E R G U I D E

www.aegex.com

CONTENTS

WARNINGS	3
FCC, IC, and CE NOTICES	4
IMPORTANT PRODUCT INFORMATION AND SAFETY NOTICES	5
PRODUCT WARRANTY	5
ENERGY SAVING	5
FRONT OF TABLET	6
BACK OF TABLET	8
SD & SIM PORT	10
VESA MOUNT	10
SHOULDER STRAP/ACCESSORY MOUNT	11
APPENDIX	
TABLET POWER SUPPLY	A-1
BATTERY AND BATTERY SAFETY	A-2
RECYLCE	A-2



WARNINGS & NOTICES

- Read all instructions before using this product.
- To prevent possible hearing damage, do not listen at high volumes for long periods of time.
- Only use Aegex approved accessories with the Aegex100M.
- Removing the battery pack will invalidate the product's IP67 rating and may void the warranty

AVERTISSEMENTS & AVIS

- Lisez toutes les instructions avant d'utiliser ce produit.
- Pour éviter d'éventuels dommages auditifs, n'écoutez pas à des volumes élevés pendant de longues périodes.
- Utiliser des accessoires homologués Aegex avec l'Aegex100M.
- Le retrait de la batterie invalidera l'indice de protection IP67 du produit.

In Hazardous Locations



The Aegex100M is certified for use in various hazardous locations depending on the model number and certification marking printed on the product.

- DO NOT REMOVE OR REPLACE THE BATTERY PACK IN HAZARDOUS CLASSIFIED AREAS. PRODUCT MUST BE USED WITH BATTERY PACK P/N: AAEB-100-XX, WHERE "XX" ARE PLACEHOLDERS OF THE PART NUMBER FOR FUTURE VERSIONS, FOR CHANGES IN THE PRODUCT THAT DO NOT IMPACT THE SAFETY OR CERTIFICATION OF THE PRODUCT.
- BATTERY PACK CAN ONLY BE USED AND CHARGED WHILE IT IS ON THE TABLET AEGEX100M. DO NOT ATTEMPT TO CHARGE THE BATTERY IN ANY OTHER MANNER.
- PRODUCT MUST BE ONLY CHARGED WITH AEGEX CHARGER P/N: AAAK-0XX-01, WHERE XX REPRESENTS THE COUNTRY TYPE PLUG AND 01 REPRESENTS VERSION NUMBER.
- DO NOT OPEN THE SIM / SD CARD PORT IN A HAZARDOUS LOCATION.
- WHEN IN ZONE 0 LOCATIONS, THE PRODUCT MUST BE USED WITHIN THE CASE PROVIDED BY AEGEX. CASE P/N: APAC-100-01.
- IT MUST BE TAKEN CARE THAT DURING THE USE OF THE PRODUCT THERE IS NO POSSIBILITY OF FRICTION RESULTING FROM DIRECT CONTACT OF THE PRODUCT ENCLOSURE.
- PRODUCT MUST BE INSPECTED FOR ANY DAMAGE OR DEFORMATION, WHICH IF PRESENT, THE PRODUCT MUST NOT BE USED IN HAZARDOUS CLASSIFIED AREAS.
- PRODUCT IS AUTHORIZED TO BE SERVICED ONLY BY AEGEX.
- DO NOT CHARGE, CONNECT OR DISCONNECT THE AEGEX100M TABLET IN HAZARDOUS CLASSIFIED AREAS.
- PRODUCT MUST BE USED WITHOUT ANY ACCESSORIES OR EXTENSIONS WITHIN HAZARDOUS CLASSIFIED AREAS.

Dans une zone à risque d'explosion



L'Aegex100M est certifié pour une utilisation dans des zones à risque d'explosion en fonction du numéro de modèle et du marquage de certification sur le produit.

- NE RETIREZ PAS ET NE REMPLACEZ PAS LA BATTERIE DANS DES ZONES DANGEREUSES CLASSÉES. LE PRODUIT DOIT ÊTRE UTILISÉ AVEC LA BATTERIE RÉF. : AAEB-100-XX, OÙ « XX » EST UN ESPACE RÉSERVÉ POUR LE NUMÉRO DE PIÈCE POUR LES VERSIONS FUTURES, POUR LES MODIFICATIONS DU PRODUIT QUI N'ONT PAS D'IMPACT SUR LA SÉCURITÉ OU LA CERTIFICATION DU PRODUIT.
- LA BATTERIE NE PEUT ÊTRE UTILISÉE ET CHARGÉE QUE LORSQU'ELLE EST SUR LA TABLETTE AEGEX100M. N'ESSAYEZ PAS DE CHARGER LA BATTERIE D'UNE AUTRE MANIÈRE.
- LE PRODUIT NE DOIT ÊTRE CHARGÉ QU'AVEC LE CHARGEUR AEGEX RÉF. : AAAK-0XX-01, OÙ XX REPRÉSENTE LE TYPE DE PAYS ET 01 REPRÉSENTE LE NUMÉRO DE VERSION.
- N'OUVREZ PAS LE PORT DE LA CARTE SIM / SD DANS UN ENDROIT DANGEREUX.
- DANS LES ENDROITS DE LA ZONE 0, LE PRODUIT DOIT ÊTRE UTILISÉ DANS LE CAS FOURNI PAR AEGEX. Réf. CAS : APAC-100-01.
- IL FAUT VEILLER À CE QUE PENDANT L'UTILISATION DU PRODUIT, IL N'Y AIT AUCUNE POSSIBILITÉ DE FROTTEMENT RÉSULTANT D'UN CONTACT DIRECT AVEC LE BOÎTIER DU PRODUIT.
- LE PRODUIT DOIT ÊTRE INSPECTÉ POUR TOUT DOMMAGE OU DÉFORMATION, QUI, S'IL EST PRÉSENT, LE PRODUIT NE DOIT PAS ÊTRE UTILISÉ DANS DES ZONES CLASSÉES DANGEREUSES.
- LE PRODUIT EST AUTORISÉ À ÊTRE ENTRETENU UNIQUEMENT PAR AEGEX TECHNOLOGIES
- LE PRODUIT DOIT ÊTRE UTILISÉ SANS ACCESSOIRES NI RALLONGES DANS LES ZONES CLASSÉES DANGEREUSES.

CAUTION: Changes or modifications not expressly approved by the party responsible for compliance could void the user's authority to operate the equipment.

NOTICE: This equipment has been tested and found to comply with the limits for a Class B digital device, pursuant to Part 15 of the FCC Rules. These limits are designed to provide reasonable protection against harmful interference in a residential installation. This equipment generates uses and can radiate radio frequency energy and if not installed and used in accordance with the instructions, may cause harmful interference to radio communications. However, there is no guarantee that interference will not occur in a particular installation. If this equipment does cause harmful interference to radio or television reception, which can be determined by turning the equipment off and on, the user is encouraged to try to correct the interference by one of the following measures:

- Reorient or relocate the receiving antenna.
- Increase the separation between the equipment and receiver.
- Connect the equipment into an outlet on a circuit different from that to which the receiver is connected.
- Consult the dealer or an experienced radio/TV technician for help.

This device complies with Part 15 of the FCC Rules. Operation is subject to the following two conditions: (1) This device may not cause harmful interference, and (2) this device must accept any interference received, including interference that may cause undesired operation.

Industry Canada Notice: Canada Only

This device complies with Industry Canada RF radiation exposure limits set forth for general population (uncontrolled exposure). This device must not be collocated or operating in conjunction with any other antenna or transmitter. This device complies with Industry Canada license-exempt RSS standard(s). Operation is subject to the following two conditions: (1) this device may not cause interference, and (2) this device must accept any interference, including interference that may cause undesired operation of the device.

Le présent appareil est conforme aux CNR d'Industrie Canada applicables aux appareils radio exempts de licence. L'exploitation est autorisée aux deux conditions suivantes: (1) l'appareil ne doit pas produire de brouillage, et (2) l'utilisateur de l'appareil doit accepter tout brouillage radioélectrique subi, même si le brouillage es susceptible d'en compromettre le fonctionnement.



CE Statement

Aegex Technologies LLC, Flatiron Building, 84 Peachtree Street NW Atlanta, GA 30303 USA hereby declare, under its sole responsibility that the product Aegex100M Intrinsically Safe Tablet is in conformity with the relevant European Union harmonization legislation:

- EMC Directive 2014/30/EU
- Low Voltage Directive 2014/35/EU
- Radio Equipment Directive (RED) 2014/53/EU
- Restriction of Hazardous Substances (RoHS) Directive RoHS (EU) 2011/65 + (EU) 2015/863

Important Product Information and Safety Notices Control No.: ADPU-017-02-01

- Do not drop, bend, or twist your tablet as this can damage the glass display, internal circuit boards, or mechanics. If the glass cracks or breaks, do not attempt to remove the broken glass or touch the glass parts as this can lead to injury. If the display cracks or breaks, stop using the device and contact Aegex Technologies at www.aegex.com/support to have the device repaired.
- Do not try to disassemble your tablet. This may damage the device and will void the warranty.
- Do not physically connect other equipment to your tablet in a hazardous environment.
- Operating conditions for your tablet are between -20°C and +55°C (-4°F and +131°F) with relative humidity between 10% and 90% based on the temperature rating for hazardous locations.
- Any unauthorized service is prohibited and will void the warranty.
- Store your tablet in a place where temperatures are between -20°C and +60°C (-4°F and +140°F).
- Protect your tablet from dust and moisture ingress. Keep compartments closed when not in use to prevent dust and moisture ingress.
- When using earphones, listen at moderate levels and do not place the tablet speakers near your ear when the speakers are in use.
- Use only soft, clean and dry lint-free cloth to clean your tablet.
- Tablet only to be used by an Instructed or Skilled Person as defined by IEC 62368-1:2018 Section 0.2.3 and 0.2.4.
- Your device has not been tested to comply with the guidelines for exposure to radio waves (SAR, Specific Absorption Rate) when kept at a minimum distance of 2.5cm to your body.
- Charge your device with the supplied charger in a non-hazardous environment between 0°C and +60°C (32°F and +140°F).
- Only use the Aegex Power Supply SKU: AAAK-5XX-YY, which includes the Aegex protection adapter, AC/DC Desktop Power Adapter, and country-specific power cable.
- Alternatively, the Aegex Docking Station SKU: AAAK-00X-YY may be used to charge your device.
- Using 3rd party charging equipment could damage the device and/or void the warranty.
- Do not use damaged power cords or plugs.

Warranties

For more information on warranty services of Aegex100M, please visit our site at <https://aegex.com/support/warranty>

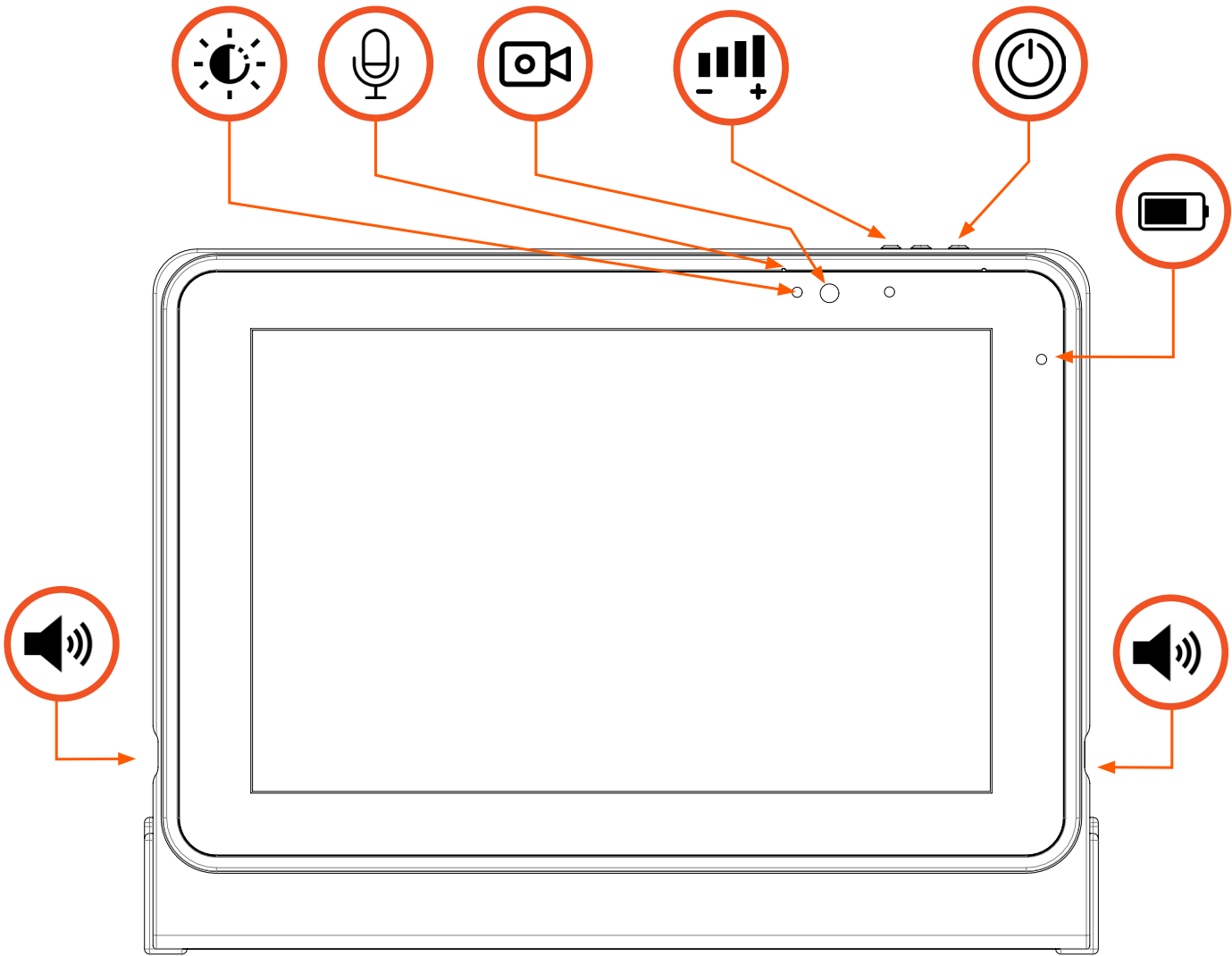
This product is covered by a Limited Manufacturer's Warranty and does not cover misuse of the product including but not limited to extended exposure to heat, cold, or other adverse conditions and uses.

Energy Saving

You can save energy by doing the following:

- Close unused applications and data connections.
- Decrease screen brightness and sound volume.
- Deactivate unnecessary sounds like touch panel sounds.
- Disconnect your charger from the main outlet power when the charger is not needed.
- Do not keep unnecessary accessories connected to your device while in the docking station.

Front of Tablet





Ambient Light Sensor



Front-facing Camera

- 2 megapixel camera and LED indicator that camera is in use
-



Microphone



Volume Control



On/Off and sleep mode for tablet

- 1 push – Wake up Tablet
 - 2 megapixel camera and LED indicator that camera is in use
 - 1 push when on – put tablet in sleep mode
 - Push & Hold when on – Press for 5 seconds and then swipe down on the screen to power down.
 - Push & Hold for 10-12 seconds - hard shutdown/ reset
-



Charging Indicator

Green – Fully Charged

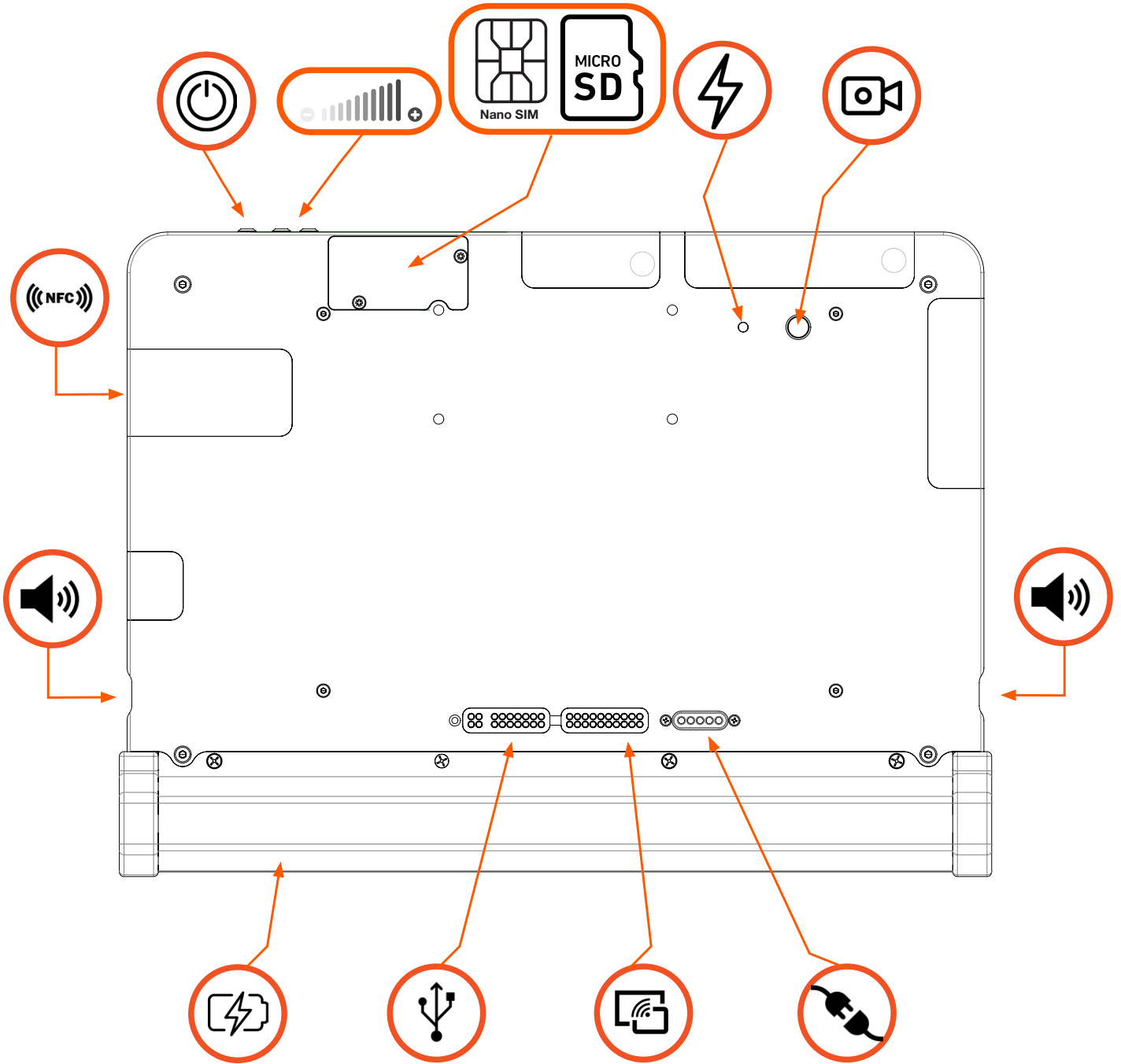
Orange – Charge in Progress

Red – Charging Error



Speakers

Back of Tablet





Nano SIM Card Port

Use ONLY Nano SIM

Note: Not all devices have LTE communications



MicroSD Card Port

Up to 2TB expanded memory



Camera Flash



Rear-Facing Camera 8 megapixel camera



NFC Antenna



Charging Connector



Docking Connector

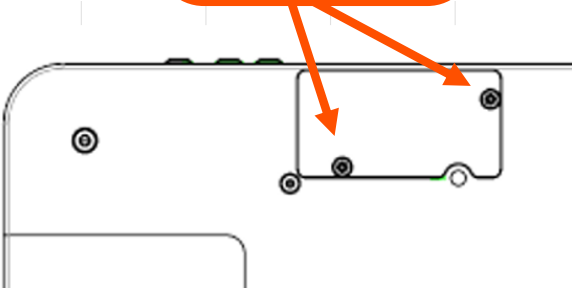


USB Connector

microSD and Nano SIM Port



Port Cover Screws



Do Not open microSD and Nano SIM ports in hazardous locations.

To insert a microSD card or Nano SIM card, please read the directions below carefully. NOTE: Pay close attention to how each port slides open or closed. Failing to properly open or close either port can damage the device or disable certain functionality.

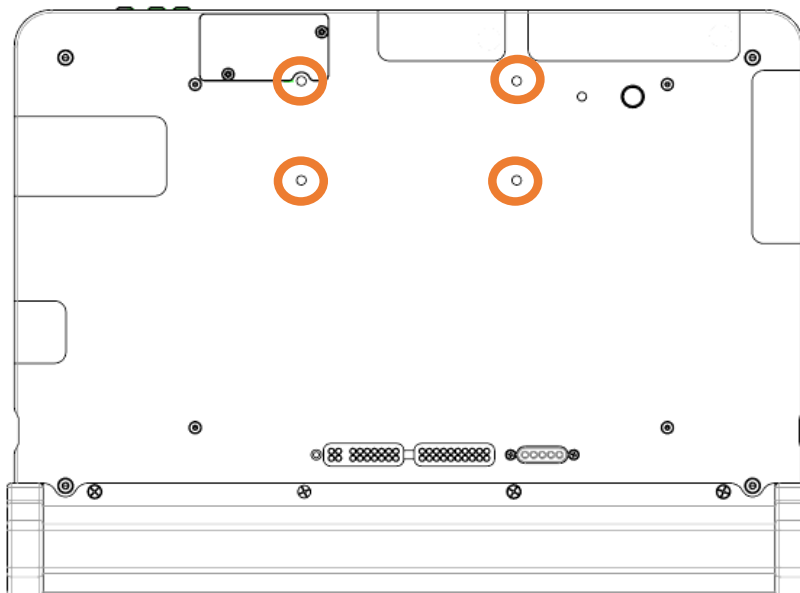
To install or replace a microSD card or Nano SIM Card, remove the Port Cover in a non-hazardous area with the 000 Philips head screwdriver provided with your tablet.

The microSD card slot is located on the right side under the Port Cover. To insert a microSD Card, open the slot by sliding it to the right, lift up the slot cover, insert the card, and close and lock the microSD Card in place by sliding the slot cover back to the left.

The Nano SIM Card slot is located on the left side under the Port Cover. Open the slot by sliding it left, lift up the slot cover, insert the card, and close and lock the Nano SIM in place by sliding the slot cover back to the right.

VESA Mount

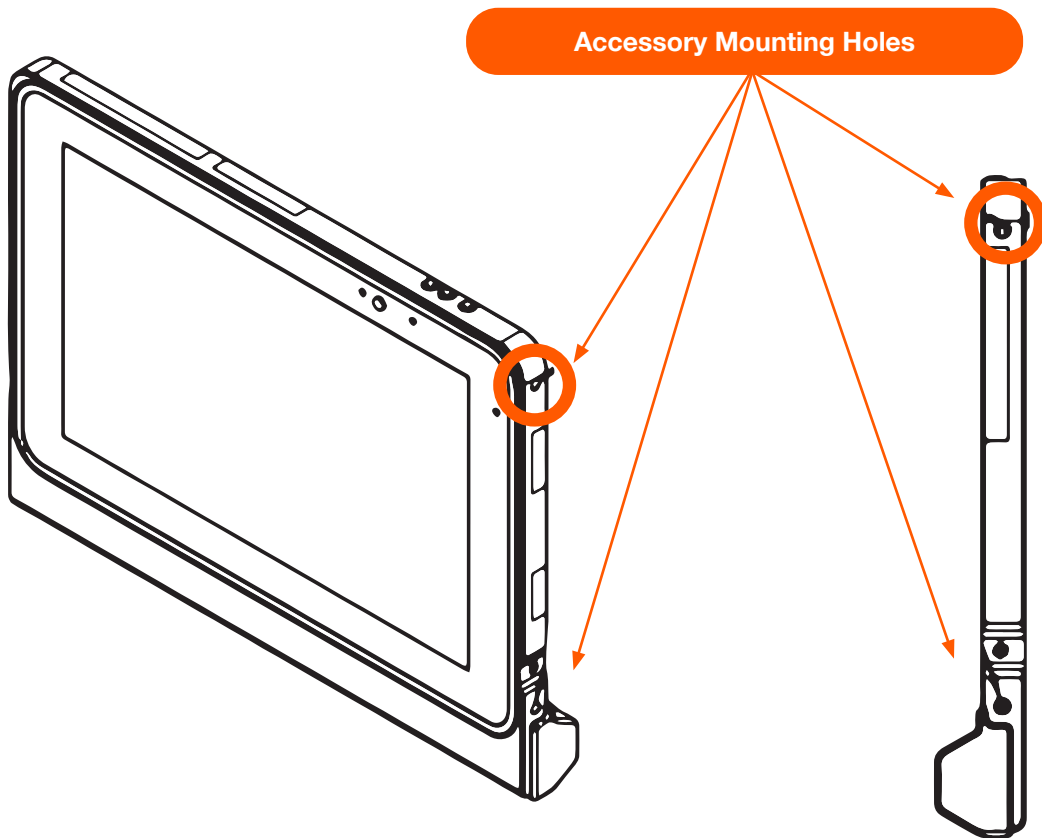
The Aegex100M has a standard VESA mount configuration FDMI MIS-C 75mm x 35mm. Use only M4 x 8mm screws. Other screws may damage the device and may impact its safety and certifications. VESA mounting holes are identified below.



Shoulder Strap/ Accessory Mount

To attach the shoulder strap, remove the plastic caps over the screw mounting holes you wish to use. Removing these caps does not impact certification or the use of the product in hazardous areas.

Attach the shoulder strap or other approved accessories using the M5 screws provided in the locations shown below.



Tablet Power Supply

Use only the approved Aegex Power Supply when charging the Aegex100M.

Do not charge the tablet in a hazardous location.

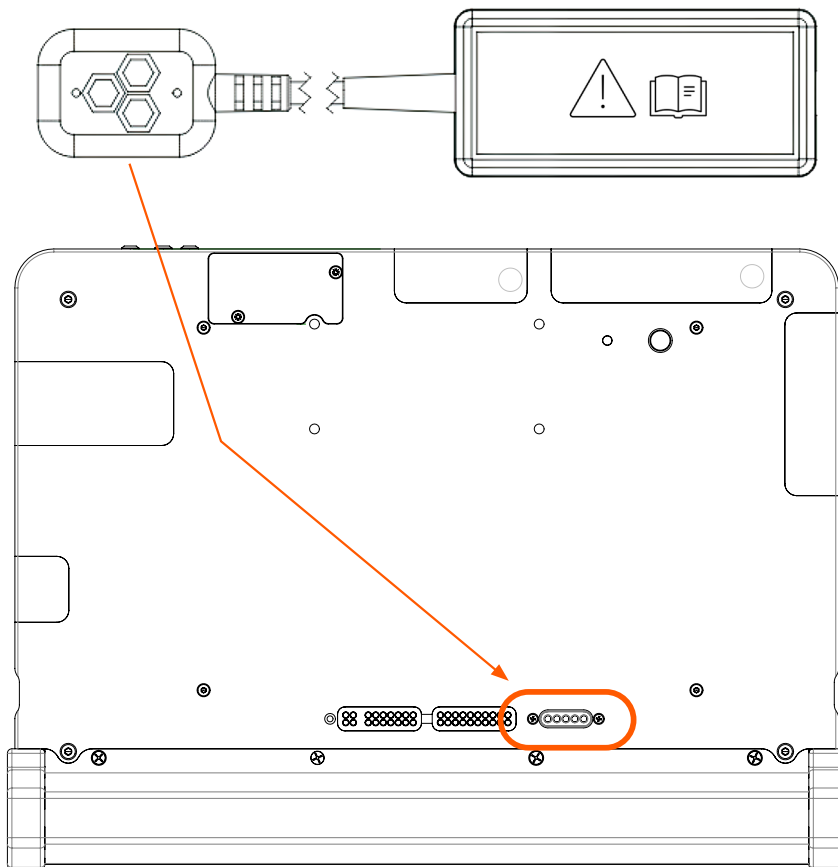
This Power Supply has 3 components:

The Aegex Protection Adapter PN# APEW-010-XX (Shown below right)

Desktop AC/DC Adapter PN# APEZ-01X-XX (Not Shown)

Country Specific Wall cable and plug PN# AEG-PEW-000x-xx (Not Shown)

Note: The Aegex Protection Adapter can connect to the 5-pin magnetic connector on the tablet in either direction.





Battery Safety

Visually inspect the battery and battery housing regularly. Your rechargeable Lithium-ion battery operates on 7.2V and 2x 3450mAh, Aegex100M Battery AAEB-101-03

- **WARNING DO NOT REMOVE OR REPLACE THE BATTERY WHILE IN A HAZARDOUS LOCATION**
- **AVERTISSEMENT - AVERTISSEMENT NE PAS RETIRER OU REMPLACER LE BATTERIE DANS UN ZONE DANGEREUX**
- All Lithium batteries have lifecycles and if the charge duration becomes much shorter than usual, run diagnostics on the battery to determine if it needs to be replaced.
- When not in daily or weekly use, fully charge the battery at least once every 6 months.
- Keep the device away from heat sources. Battery temperature should not exceed 60°C.
- Do not throw batteries or battery packs into a fire as they may explode.
- Do not expose the batteries to liquids.
- Do not hit, bend, pierce, or drop the battery pack or batteries.
- The battery should not have liquid from electrolyte flowing, but in case the electrolyte comes in contact with eyes, **DO NOT** rub your eyes. Wash your eyes well, with clean water and seek medical attention immediately. In case the electrolyte comes in contact with your skin, wash the affected area well, with clean water, and seek medical attention.
- Do not externally short-circuit the battery. If externally short-circuited, the battery may be heated, ignited, or broken.
- Use only Aegex supplied batteries and battery pack with this device. Using 3rd party batteries could cause damage to the device.
- Follow the instructions below for proper battery disposal.

Recycle

Return your used electronic units to dedicated collection points. Please note that your tablet has a Lithium-ion battery. It must be recycled separately. These batteries and/or your Aegex100M, should **NOT** go into household garbage or recycling bins. Follow your local jurisdiction's rules and regulations regarding proper Lithium-ion battery disposal.

Lithium-ion batteries and devices containing these batteries should NOT go in household garbage or recycling bins. Lithium-ion batteries SHOULD be taken to separate recycling or household hazardous waste collection points.

RoHS





Aegex Technologies, LLC
Flatiron Building
84 Peachtree St NW
Atlanta, GA 30303

Aegex Technologies, LLC
Hungarian Branch Office
H-7632 Pécs, Tildy Zoltán u. 27/1

+1 404 242 4000
contact@aegex.com

© Copyright 2024 Aegex Technologies, LLC. All Rights Reserved. Aegex, Aegex Technologies and Aegex Technologies, LLC are registered trademarks of Aegex Technologies, LLC with the U.S. Patent and Trademark Office. All Aegex Technologies products, including components or features thereof and/or associated software, are protected by copyright, international treaties and patents and patents pending. Some of these rights are reflected in registrations, pending applications, common law rights, or by act of law, regulations, and treaties. All other brands, product names, company names, trademarks and service marks are the property of their respective owners.